

# The "S" Series Walkie Stackers



## Raymond® Walkie Counterbalanced Models RCS20/30/40

Raymond® Walkie Counterbalanced Models RCS20/30/40. Versatile, efficient, reliable. Whether you are working in trailers, boxcars or racks, you can count on the Raymond RCS for all of your dock-to-stock needs.

Easy-to-operate ergonomic controls and programmable speeds allow your operators to move more pallets per hour. Transistorized controls and large load wheels help you navigate dock plates with ease, providing a smoother ride with more efficient operation.

Heavy duty construction and on-board diagnostics make the Raymond RCS easy to maintain and economical to own.

### RCS20/30/40 Standard Equipment

- 2000, 3000 and 4000 pound maximum capacity
- Two and three stage masts with fork heights up to 189"
- Load sensing torsion bar suspension for easier steering
- Separately excited traction system for smooth acceleration
- Thumb wheel control
- Key switch
- Horn
- Handle mounted electronic lift/lower for easy access
- Chassis mounted manual lift/lower for precise control
- Tilt mast
- 48" high load backrest
- Hour meter

**RAYMOND**  
Above. And beyond.®

[www.raymondcorp.com](http://www.raymondcorp.com)

# Specifications—RCS20/30/40

## MAST SPECIFICATIONS

Model	Lift Height (in.)	Overall Collapsed Height (in.)	Free Lift (in.)	Capacity (lbs.)
<b>RCS20</b>				
2-stage	104	71	12	2000
Limited Free Lift	128	83	12	2000
	152	95	12	2000
<b>RCS20</b>				
2-stage	104	71	52	2000
	128	83	64	2000
Full Free Lift	152	95	76	2000
<b>RCS20</b>				
3-stage	150	71	53	2000
	180	83	65	1500
Full Free Lift	189	87	69	1200
<b>RCS30</b>				
2-stage	104	71	12	3000
	128	83	12	3000
Limited Free Lift	152	95	12	3000
<b>RCS30</b>				
2-stage	104	71	52	3000
	128	83	64	3000
Full Free Lift	152	95	76	3000
<b>RCS30</b>				
3-stage	150	71	53	3000
	180	83	65	2100
Full Free Lift	189	87	69	1900
<b>RCS40</b>				
2-stage	100	71	6	4000
	124	83	6	4000
Limited Free Lift	150	95	6	4000
<b>RCS40</b>				
3-stage	150	71	53	4000
	180	83	65	3200
Full Free Lift	189	87	69	3000

## PERFORMANCE SPECIFICATIONS

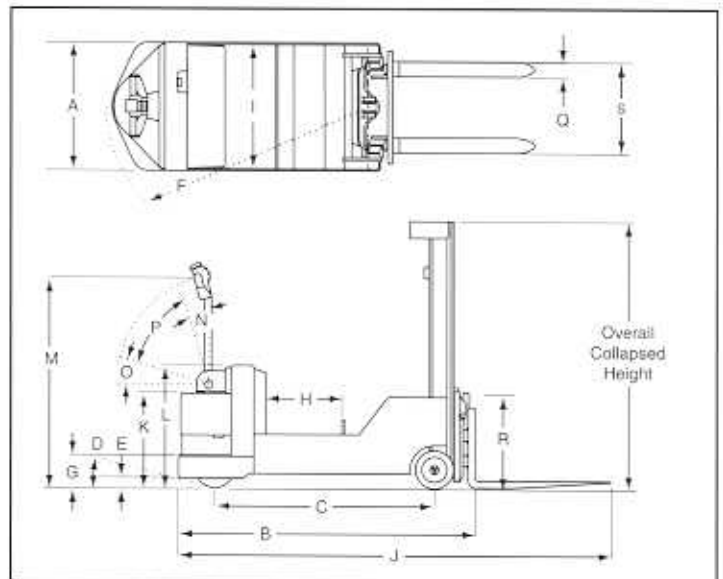
		RCS20	RCS30	RCS40
Truck Weight, less battery	lbs	3600	4600	5800
Battery Connector		S8-175 red		
Battery Lead Position/Length	in	B/20		
Battery Voltage	V	24		
Minimum Battery Weight	lbs.	950		
Travel Speed empty/loaded	mph	3.2/2.9	3.4/3.0	3.3/2.8
Lift Speed empty/loaded	fpm	49/37	49/32	49/27
Lowering Speed empty/loaded	fpm	44/60	42/60	42/60

## aisle width required for right angle stacking

Load Width (in.)	Load Length (in.)					
	RCS20	RCS20	RCS30	RCS30	RCS40	RCS40
	42	48	42	48	42	48
30	105	111	110	116	117	123
36	105	111	110	116	116	123
40	104	111	110	116	116	122
42	104	110	109	116	116	122
48	104	110	109	115	116	122

Aisle width requirements based on 6" clearance between pallets.  
Add 6-12" for ease of operation. Add 2-5" when equipped with sideshift.

Due to continuous product improvements, all terms, conditions and specifications are subject to change without notice. Raymond and Above. And beyond are registered trademarks of The Raymond Corporation. © 2002 The Raymond Corporation, Greene, NY. Printed in USA. SIFB-0088 802CG-15



## DIMENSION CHART

		RCS20	RCS30	RCS40
Capacity	lbs.	2000	3000	4000
Tilt (Backward/forward)	deg.	8/3		
A Tractor Width	in	34.1		
B Tractor Head Length	in	64.8	70.1	76.6
C Wheelbase	in	47	52.3	58.6
D Grade Clearance	%	10		
E Underclearance: Tractor	in	2.1		
F Turning Radius	in	56.7	62.0	68.3
G Battery Floor Height with Optional Rollers*	in	9.5		
H Battery Compartment Width	in	13.3		
I Battery Compartment Length	in	32.3		
J Overall Length ++	in	106.8	112.1	118.6
K Tractor Height at Handle	in	25.25		
L Tractor Height at Battery	in	32.25		
M Handle Height Retracted	in	55.6		
N Top Vertical Braking Arc	deg.	12.5		
O Bottom Braking Arc	deg.	10.5		
P Handle Operating Arc	deg.	67		
Q Forks	in	1.5 x 4	1.5 x 4	1.75 x 4
R Load Backrest (height)	in	48		
S Fork Adjustment	in	8.5-30		
Drive Tire	in	10.5 x 5 rubber		
Load Wheels	in	10 x 4 polyurethane		

\*RCS 10 battery compartment is not available with rollers; battery must be placed in or removed from compartment using an overhead lift or crane

++ With 42" forks

**RAYMOND**  
Above. And beyond.®

The Raymond Corporation  
P.O. Box 130  
Greene, New York 13778-0130  
Toll free 1 (800) 235-7200  
Fax 1 (607) 656-9005

www.raymondcorp.com