

The "S" Series Walkie Stackers



Raymond® Walkie Reach Model RRS30

Raymond® Walkie Reach Model RRS30. Do the job in less time for less money. Whether you are trying to improve productivity, reduce maintenance costs, or perform more tasks with one truck, the *Raymond* RRS is the solution.

This highly maneuverable stacker is the perfect vehicle for retail storage areas, weight restricted elevators and floors, and other specialized operations. The versatile RRS can accomplish all of your staging and dock-to-stock needs.

The easy-to-use controls and ergonomic control handle provide maximum simplicity and smooth operation, increasing operator confidence. Variable speed control levers make load handling easier and more precise, which enhances productivity and reduces rack damage.

Modular components, state-of-the-art transistor controls, and heavy-duty construction make the *Raymond* RRS easy to maintain and economical to own.

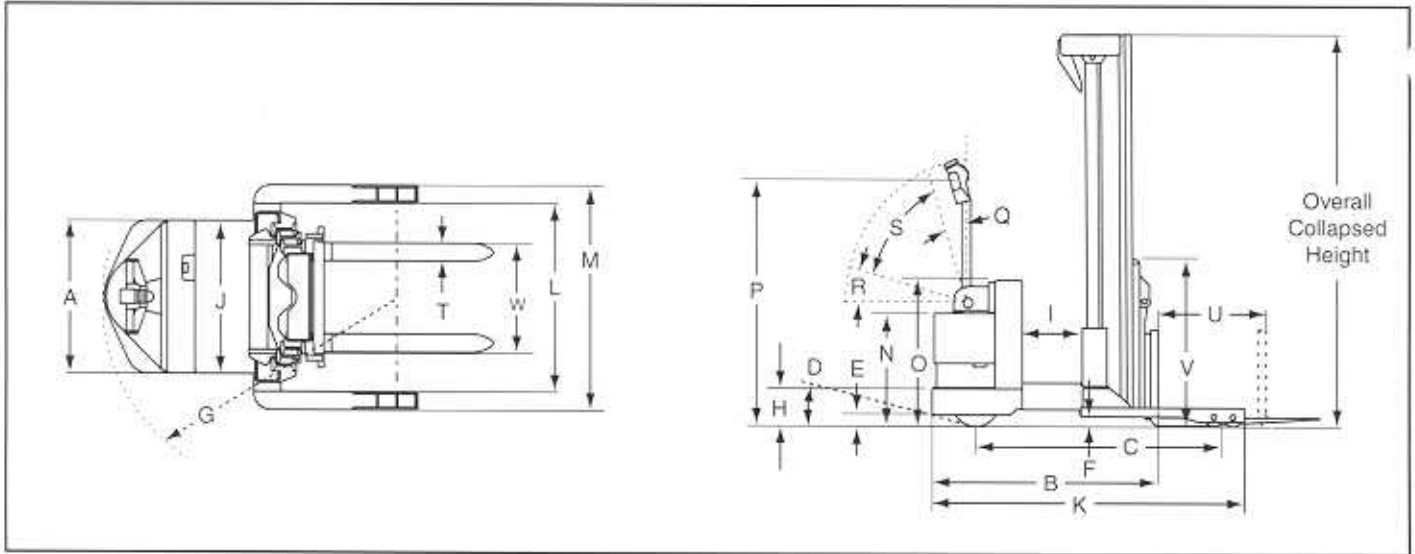
RRS30 Standard Equipment

- 3000 pound maximum capacity
- Two and three stage masts with fork heights up to 189"
- Load sensing torsion bar suspension for easier steering
- Separately excited traction system for smooth acceleration
- Thumb wheel control
- Key switch
- Horn
- Handle mounted electronic lift/lower for easy access
- Chassis mounted manual lift/lower for precise control
- Tilt carriage
- 48" high load backrest
- Hour meter

RAYMOND
Above. And beyond.®

www.raymondcorp.com

Specifications—RRS30



MAST SPECIFICATIONS				
Lift Height (in.)	Lift Height (in.)	Overall Collapsed Height (in.)	Free Lift (in.)	Capacity (lbs.)*
2-stage	3-stage			
100		71	6	3000
124		83	6	3000
150		95	6	2750
	150	71	53	2750
	180	83	65	2100
	189	87	69	2000

*Deduct 250 lbs. with sideshift

PERFORMANCE SPECIFICATIONS			
			RRS30
Truck Weight, less battery	lbs.		3500
Battery Connector			SB-175 red
Battery Lead Position/Length	in.		B/20
Battery Voltage	V		24
Minimum Battery Weight	lbs.		950
Travel Speed	empty/loaded	mph	3.2/2.8
Lift Speed	empty/loaded	fpm	48/29
Lowering Speed	empty/loaded	fpm	47/60

AISLE WIDTH REQUIRED FOR RIGHT ANGLE STACKING			
RRS30			
Load Width (in.)	Load Length (in.)		
	42		48
30	85		92
32	84		92
36	84		91
40	83		91
42	83		90
48	82		90

Aisle width requirements based on 6" clearance between pallets.
Add 6-12" for ease of operation. Add 4.5" for 3-stage mast.

DIMENSION CHART		
		RRS30
Capacity	lbs.	3000
Tilt (Backward/forward)	deg	4/3
A Tractor Width	in.	34.1
B Tractor Head Length — 2-stage/3-stage	in.	47.4/50.8
C Wheelbase	in.	55.3
D Grade Clearance	%	10
E Underclearance: Tractor	in.	2.1
F Underclearance: Baselegs	in.	2
G Turning Radius	in.	65
H Battery Floor Height w/optional rollers	in.	9.5
I Battery Compartment Width	in.	13.3
J Battery Compartment Length	in.	32.3
K Overall Length (excluding forks)	in.	89.75
L Baseleg Opening (inside)	in.	32-50
M Baseleg (outside)	in.	40-58
N Tractor Height at Handle	in.	25.25
O Tractor Height at Battery	in.	32.25
P Handle Height Retracted	in.	55.6
Q Top Vertical Braking Arc	deg	12.5
R Bottom Braking Arc	deg	10.5
S Handle Operating Arc	deg	67
T Forks	in.	1.75 x 4
U Reach Distance — 2-stage/3-stage	in.	24
V Load Backrest (height)	in.	48
W Fork Adjustment	in.	12-30
Drive Tire	in.	10.5 x 5 polyurethane
Load Wheels	in.	4 x 2.875 tandem polyurethane

RAYMOND
Above. And beyond.®

The Raymond Corporation
P.O. Box 130
Greene, New York 13778-0130
Toll free 1 (800) 235-7200
Fax 1 (607) 656-9005

www.raymondcorp.com