

# PALLET TRUCK ACCESSORIES

===== ORGANIZATION HAS ITS PLACE =====

Accessories used for the Pallet Trucks 111, 112, 113, 114, 8300, 8400, 8500 and 8600 are offered exclusively by Raymond. **These accessories may be used to organize tools frequently used by operators, including box cutters, packaging tape, pens, hand tools, stretch wrap and many other items.**

The tool holders easily attach to a truck with a magnetic or bracket mount, depending on the model. Space is not compromised with the portable, slim design of the holders.

**For an easily accessible place to store everyday work items, Pallet Truck Accessories provide the perfect space!**

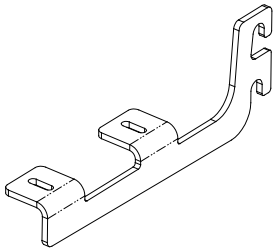
---



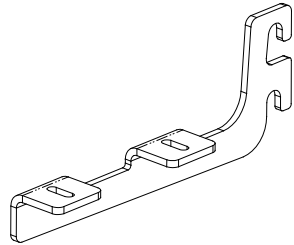
**RAYMOND**

# PALLET TRUCK ACCESSORIES SPECIFICATIONS

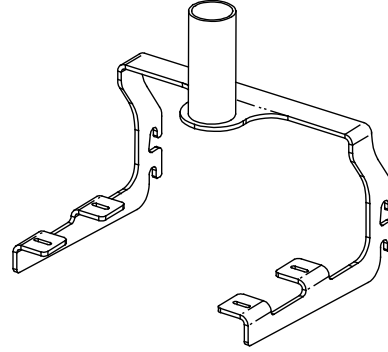
Stretch Wrap Brackets and Trays, Magnetic Holder and accessories for pallet trucks.



Tray Bracket, RH



Tray Bracket, LH



Stretch Wrap Bracket

<b>Stretch Wrap Bracket and Tray</b> for Models 8300, 8400, 8500, 8600, 8900, 111, 112, 113, 114 with load backrest	
Part Number	Description
1112282	Stretch Wrap Bracket (New) use with tray (PN 850-138-472), 2.38" O.D.
850-138-472	Storage Tray

<b>Magnetic Strip and Tray</b> for Models 8300, 8400, 8500, 8600, 111, 112, 113, 114	
Part Number	Description
850-138-757	Magnetic Strip for Tray, for use without brackets, use with PN 850-138-472
850-138-472	Tray, use with Models 8300, 8400, 8500, 8600

<b>Brackets and Tray</b> for Models 8300, 8400, 8500, 8600, 111, 112 with load backrest	
Part Number	Description
1110589	Tray Bracket, LH, for use with tray and without stretch wrap bracket, use with Models 8300, 8400, 8500, 8600
1110590	Tray Bracket, RH, for use with tray and no stretch wrap bracket, use with Models 111, 112
850-138-472	Storage Tray

<b>Magnetic Stretch Wrap Holder</b>	
Part Number	Description
950-350/MAGSTR	Magnetic Stretch Wrap Holder, Straight, for Walkie, 1.5" O.D.
950-350/MAGANG	Magnetic Stretch Wrap Holder, Angled, for Walkie, 1.5" O.D.
990-1022	Heavy-Duty Stretch Wrap Holder, Angled
990-1023	Heavy Duty Stretch Wrap Holder, Straight, 1.5" O.D.

<b>Other Accessories</b>	
Part Number	Description
850-137-776	Clipboard
1038283	Floor Mat, cushioned

Due to continuous product improvement, specifications are subject to change without notice or obligation. Some systems and features shown are optional at extra cost. Raymond and Raymond Parts are U.S. trademarks of The Raymond Corporation.

©2014 The Raymond Corporation  
Raymond Parts  
6650 Kirkville Road  
East Syracuse, NY 13057-9520  
1-315-463-5000  
www.raymondparts.com

**RAYMOND**